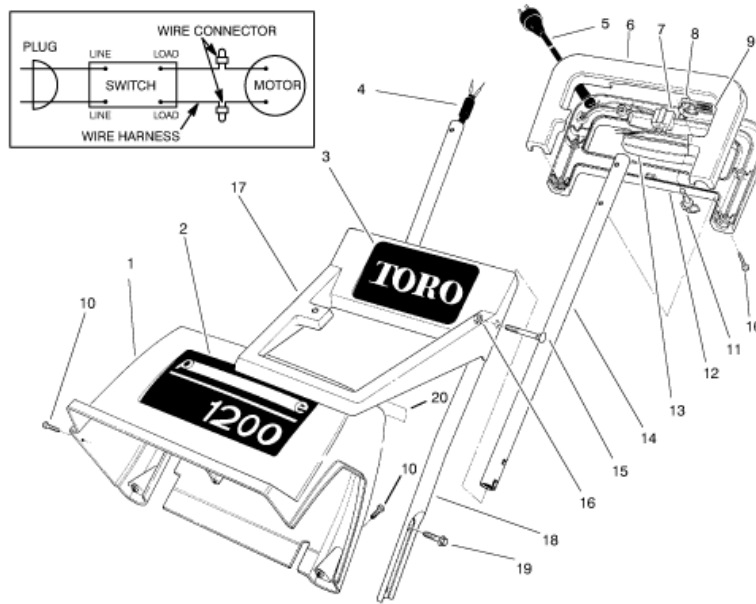


Modell: 38005 Jahr: 1999 Seriennummernbereich: 9900001 - 9999999

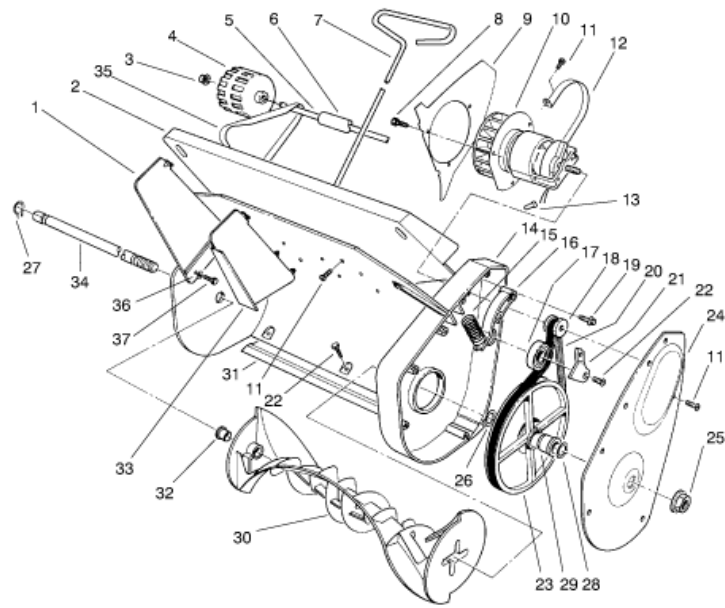


Handle Assembly

Nr.	Teil	Menge
1	Shroud (Incl. Ref. # 2 & 20)	1
2	98-1821 DECAL-POWER CURVE 1200	1
3	64-9020 DECAL-TORO	1
4	73-1600 WIRE HARNESS	1
5	42-0775 SUPPLY CORD, 1200	1
6	73-1690 1200PC-CONTROL HANDLE U	1
7	36-8340 SWITCH-STARTER	1
8	37-8000 LOCKOUT, 1200	1
9	37-7990 COMP SPRING	1
10	94-4496 SCREW-PPH	11
11	38-8310 KEY	1
12	73-1700 1200 P CONTROL HANDLE L	1

Nr.	Teil	Menge
13	37-8010 SWITCH BAR, 1200 PC	1
14	56-6520 UPPER TUBE, S-120	2
15	73-5660 BOLT	2
16	3296-42 NUT-LOCK, NI	2
17	64-9040 MIDDLE HANDLE, 1200	1
18	56-6540 LOWER TUBE, LH, S-120	1
	64-8570 LOWER TUBE, RH, S-120	1
19	49-2040 SCREW-HWHTF	6
20	Decal-U.L.	1
	Loose Parts Assembly (Incl. Ref. #11, 15, & 16)	1
	64-8910 1200PC-TUBE BUSHING	1

Modell: 38005 Jahr: 1999 Seriennummernbereich: 9900001 - 9999999



Housing & Rotor Assembly

Nr.	Teil	Menge
1	64-9070 VANE - OUTER	2
2	94-5826 MOUNT - VANE	1
3	32112-1 PUSHNUT-CAP, WASHER	2
4	73-5720 Wheel	2
5	37-6461 AXLE SHAFT	1
6	73-0252 SLEEVE, AXLE	1
7	61-8771 VANE ADJUSTING ROD	1
8	32144-30 10-16 X .31 SCREW	3
9	61-8720 AIR BAFFLE	1
10	61-4210 MOTOR, 1200 PWR CURVE	1
11	94-4496 SCREW-PPH	10
12	61-8870 MOTOR STRAP	1
13	218-511 Connector	2
14	64-9100 HOUSING - 1200	1
15	61-8880 SPRING	1
16	73-5740 1200 PC - IDLER ARM	1
17	61-8780 Bearing-Ball	1
18	61-8841 DRIVE PULLEY	1
19	32144-87 SCREW-HWHTF	2

Nr.	Teil	Menge
20	61-8800 BELT - DRIVE	1
21	73-5750 1200 PC-IDLER PULL. RET	1
22	32144-111 SCREW-PPH	5
23	73-4990 PULLEY - DRIVEN	1
24	73-4980 Belt Case Cover	1
25	32128-25 NUT-HF	1
26	37-8080 WASHER-THRUST	1
27	32151-61 RING-RETAINING	1
28	39-5190 THRUST WASHER (THICK)	2
29	73-3250 DRIVEN PULLEY BUSHING	1
30	64-9030 ROTOR, 1200	1
31	73-1650 1200 SCRAPER, 12"	1
32	64-9120 BUSHING-ROTOR	1
33	64-9080 VANE - CENTER	3
34	73-4960 ROTOR SHAFT, 1200	1
35	64-8871 BRACKET-WHEEL,RH	1
	64-8881 LH WHEEL BRKT-PAINTED	1
36	3256-75 WASHER-FLAT	5
37	94-6961 SCREW	3